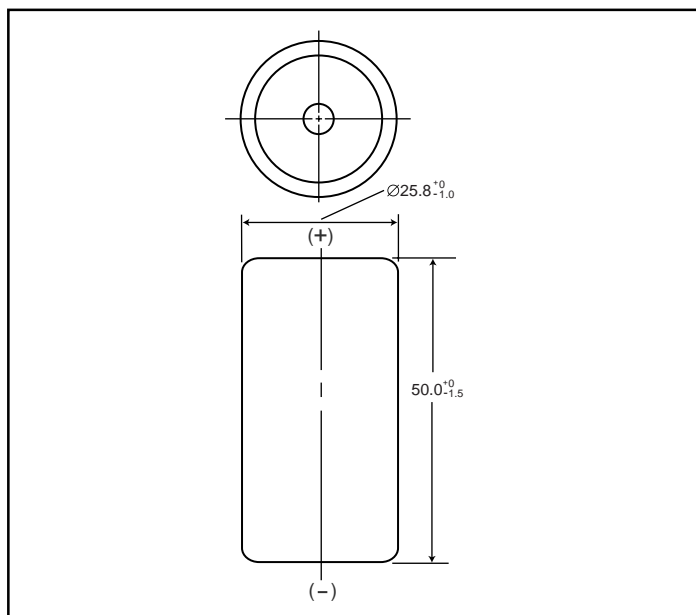


NICKEL CADMIUM BATTERIES: INDIVIDUAL DATA SHEET

P-240C c size (KR26/50) Type: N

Dimensions (with tube) (mm)



Specifications

	mm	inch
Diameter	25.8 +0/-1.0	1.02 +0/-0.04
Height	50.0 +0/-1.5	1.97 +0/-0.06
Approximate Weight	Grams	Ounces
	75g	2.65

Nominal Voltage		1.2V	
Discharge Capacity*	Average**	2600mAh	
	Rated (Min.)	2400mAh	
Approx. Internal impedance at 1000Hz at charged state		5mΩ	
Charge	Standard	240mA (0.1It) x 16 hrs.	
	Short Time	800mA (0.33It) x 4.5 hrs.	
	Trickle	Max Current	120mA (0.05It) x 30h and over
Min Current		80mA (0.033It) x 45h and over	
Ambient Temperature	Charge	Standard	°C
		Standard	°F
	Short Time	°C	°F
	Discharge	°C	°F
Storage	< 2 years	°C	°F
	< 6 months	°C	°F

* 0.2It discharge capacity after charging at 0.1It for 16 hours.

** For reference only.

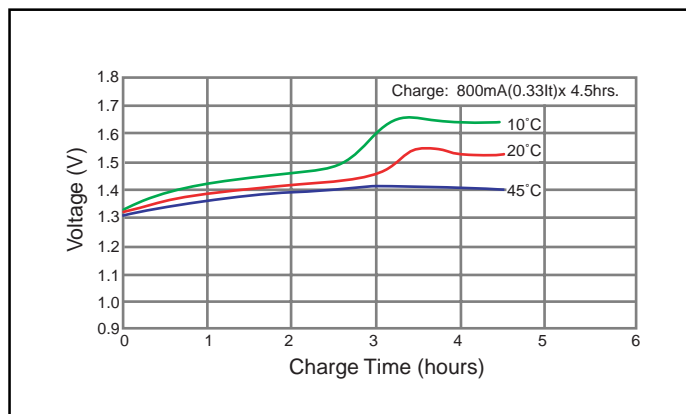
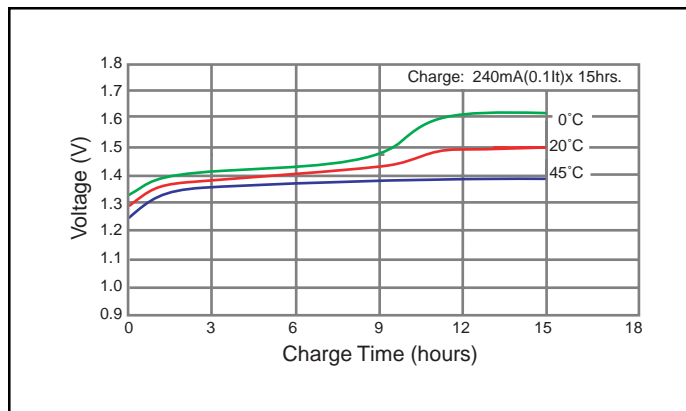
Battery performance and cycle life are strongly affected by how they are used. In order to maximize battery safety, please consult Panasonic when determining charge / discharge specs, warning label contents and unit design.

Note: [It] was previously expressed as [C]. [It] is an IEC standard expression for the amount of charge or discharge current and is expressed as:

$$It(A) = C_n (Ah)/1h.$$

- [It] is the reference test current in amperes
- [C_n] is the rated capacity of the cell or battery in Ampere-hours.
- n = the time base [hours] for which the rated capacity is declared

Typical Charge Characteristics



Typical Discharge Characteristics

